

500 Series Chemetron® Quick-Connect Medical Gas Outlets

Elements

- Safety keyed to help prevent cross-connections
- Conforms to NFPA 99 and CGA standards
- Built-in push-button latch release mechanism
- Modular design
- Cleaned for oxygen service
- UL listed



Description

The Chemetron® 500 Series outlet stations provide convenient access to medical gases in patient care locations. They are fully compatible with Chemetron style latch-keyed adapters.

The outlets are field-gangable in any order desired by the facility. Outlets are spaced 5" (12.7 cm) center to center, and may be ganged with Chemetron modular electrical assemblies in a console arrangement. Outlet finish plates and rough-in plates are pin indexed using steel pins for positive cross-connection prevention. Primary valves are separate from the finish plate, allowing easy testing for leaks and cross connection. Primary valves are made of brass and contain a chrome-plated self-sealing poppet. Primary valves are field adjustable to compensate for variations in plaster thickness of 1/2" to 3/4". Outlets may be special ordered with extended valve bodies that allow for an additional 3/8" or 3/4" adjustment.

The type K copper inlet tube has a 1/2" OD connection, and can rotate 360 degrees to accommodate any field piping arrangement. The primary gas check can be serviced without shutting off the gas supply.



500 Series Chemetron Quick-Connect Medical Gas Outlets

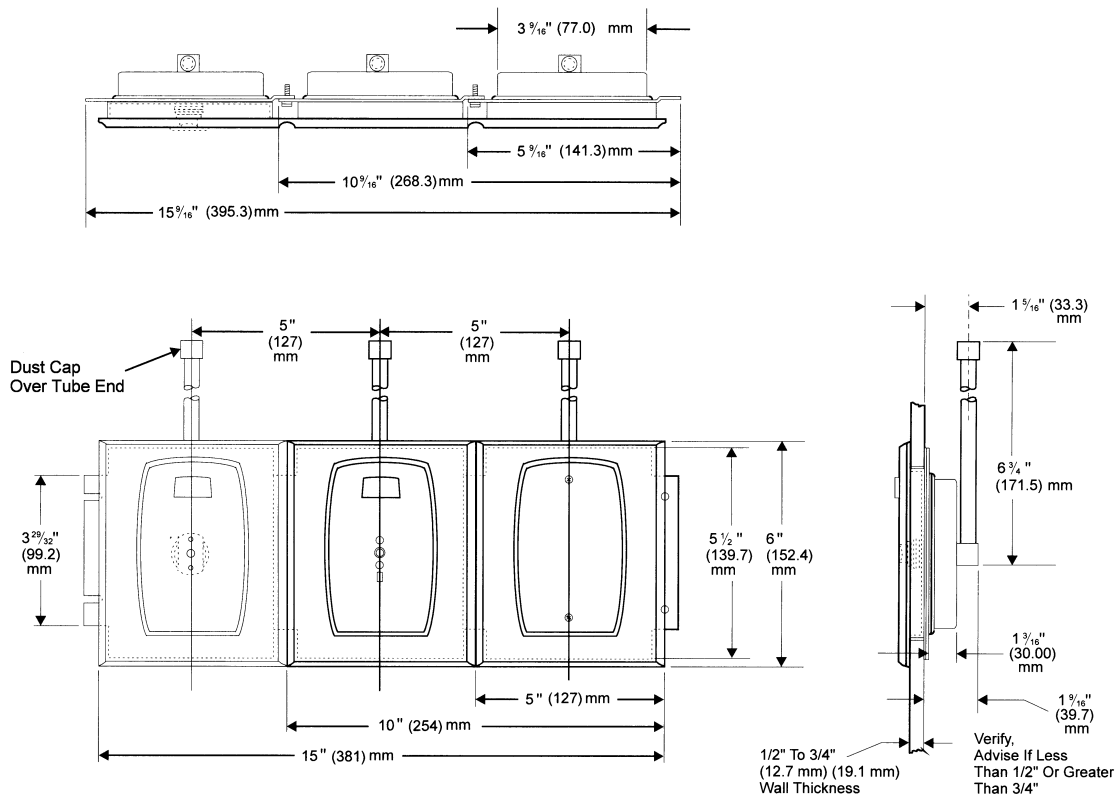
The outlet stations are fully compliant with NFPA 99 and CSA Z-305, and are cleaned for oxygen service in accordance with CGA G-4.1. The outlet is UL listed. Rough-in plates for the outlets are zinc plated steel for corrosion resistance and fire safety. Finish plates are die-cast and chrome-plated zinc, with brushed stainless inserts for appearance. Gas identification is provided by a polycarbonate plastic insert, color-coded by gas service, per NFPA and CGA.

The latch release is color-coded and labeled for the gas service. Release is easily accomplished with one hand using a push button release. The primary valve poppet provides a dust-proof seal. Vacuum outlets may be used with or without slide brackets for vacuum collection bottles of up to 1/2-gallon capacity. (Where slide brackets are used, order one per vacuum outlet.)

Ordering Information

Gas Service	Catalog Number U.S. Color Codes	Quantity	Catalog Number ISO Color Codes	Quantity
Oxygen	64-01-5001		64-01-5051	
Vacuum	64-01-5002		64-01-5052	
Air	64-01-5003		64-01-5053	
Nitrous Oxide	64-01-5004		64-01-5004	
Evacuation Vacuum	64-01-5006		64-01-5006	
Carbon Dioxide	64-01-5007		64-01-5007	
Oxygen/CO2 (CO2 less than 7%)	64-01-5008		64-01-5058	
Slide Bracket	64-06-0001		64-06-0001	

Dimensional Data



Refer to installation instructions prior to assembly.



500 Series Chemetron Quick-Connect Medical Gas Outlets

All specifications are nominal and subject to change without notice.

Warranty:
See Allied Statement of Warranties for details.

© 2005 Allied Healthcare Products, Inc.® Printed USA

Customer Service:

USA: (800) 444-3960
FAX: (314) 771-7537
Canada/Mexico: (800) 446-0552
FAX: (800) 246-6201
International: (314) 268-1683
FAX: (314) 771-5183



1720 Sublette Avenue
St. Louis, MO 63110 USA
(314)771-2400
www.alliedhpi.com
ISO 9001 CERTIFIED

Product Specification